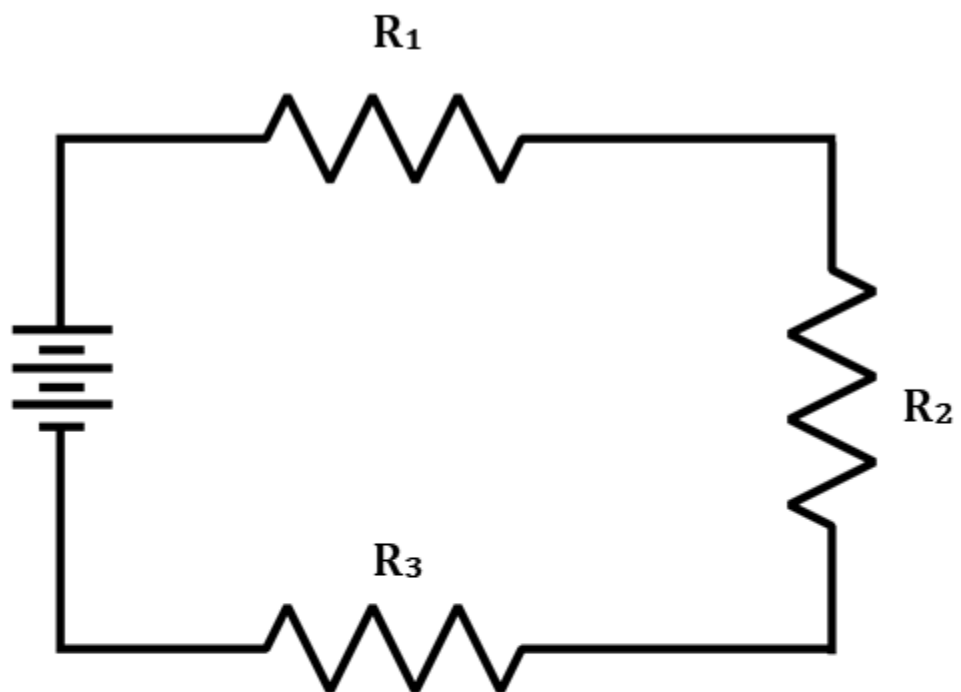


## Series Example 2



$$E_T = 18 \text{ Volts}$$

$$E_1 = 2.5 \text{ volts}$$

$$E_3 = 9.3 \text{ Volts}$$

$$R_2 = 10.33 \text{ ohms}$$

$$I_T = \underline{\hspace{2cm}}$$

$$R_T = \underline{\hspace{2cm}}$$

$$R_3 = \underline{\hspace{2cm}}$$

$$I_2 = \underline{\hspace{2cm}}$$

$$R_1 = \underline{\hspace{2cm}}$$

$$I_3 = \underline{\hspace{2cm}}$$