

Transformer Buchholz Relay

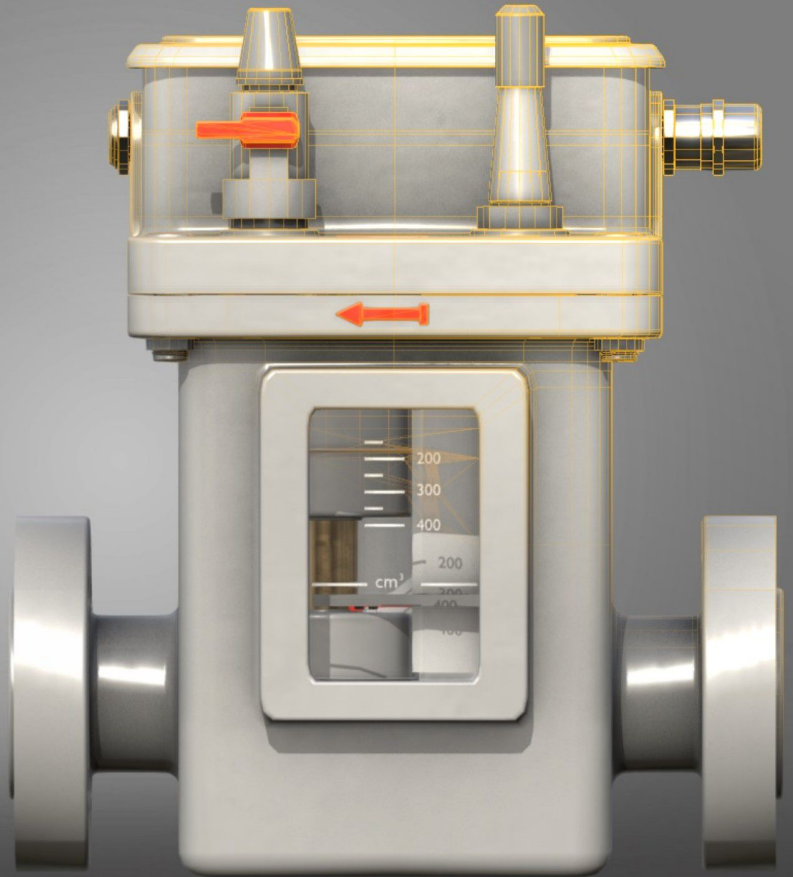
BUCHHOLZ RELAY

Alarms and trips depending upon how much gas is generated by a fault, and how quickly. Also trips if insulating liquid level is low.

Compared to gas actuated relays, a Buchholz relay has three functions, but a gas actuated relay has only two.

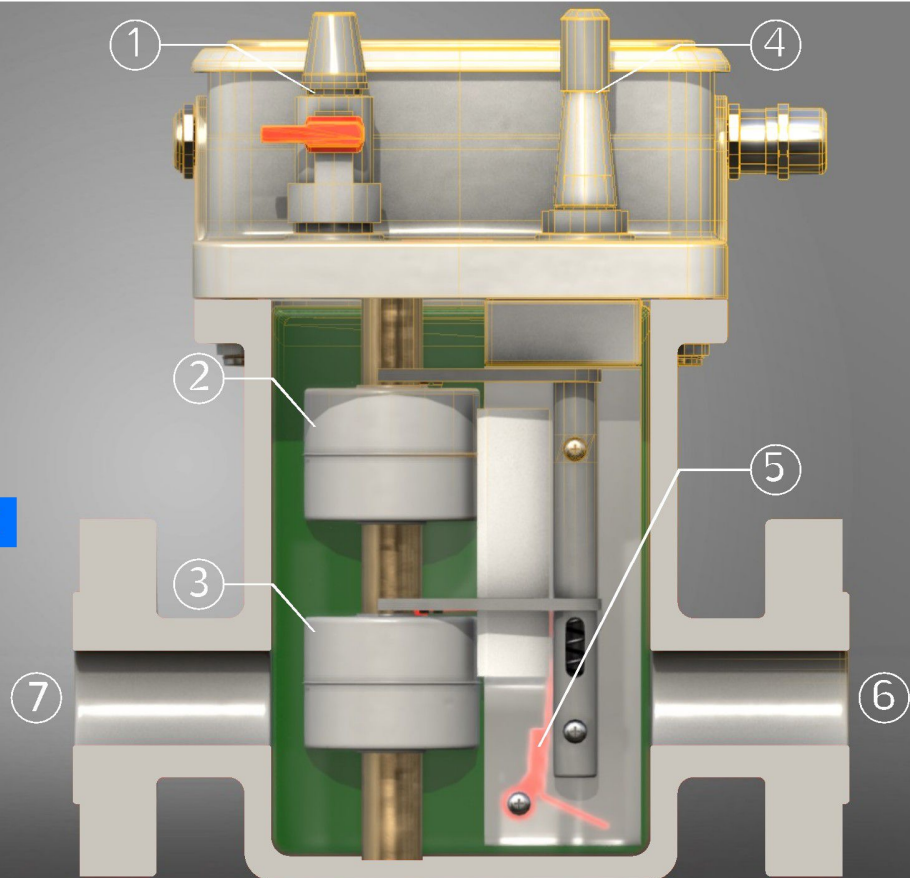
Buchholz relays are only fitted on liquid insulated electrical transformers and are designed to operate with the following electrical faults:

- Large Electrical Fault
- Minor Electrical Fault
- Low Insulating Liquid Level



savRee

- ① GAS BLEED VALVE
- ② UPPER FLOAT
- ③ LOWER FLOAT
- ④ TESTING ROD
- ⑤ BAFFLE PLATE
- ⑥ FROM TRANSFORMER TANK
- ⑦ TO CONSERVATOR TANK



savRee

This is one of several hundred 3D models within our online model database. Visit www.savree.com to learn more.

BUCHHOLZ RELAY FAULTS

LARGE ELECTRICAL FAULT(S)

CAUSE

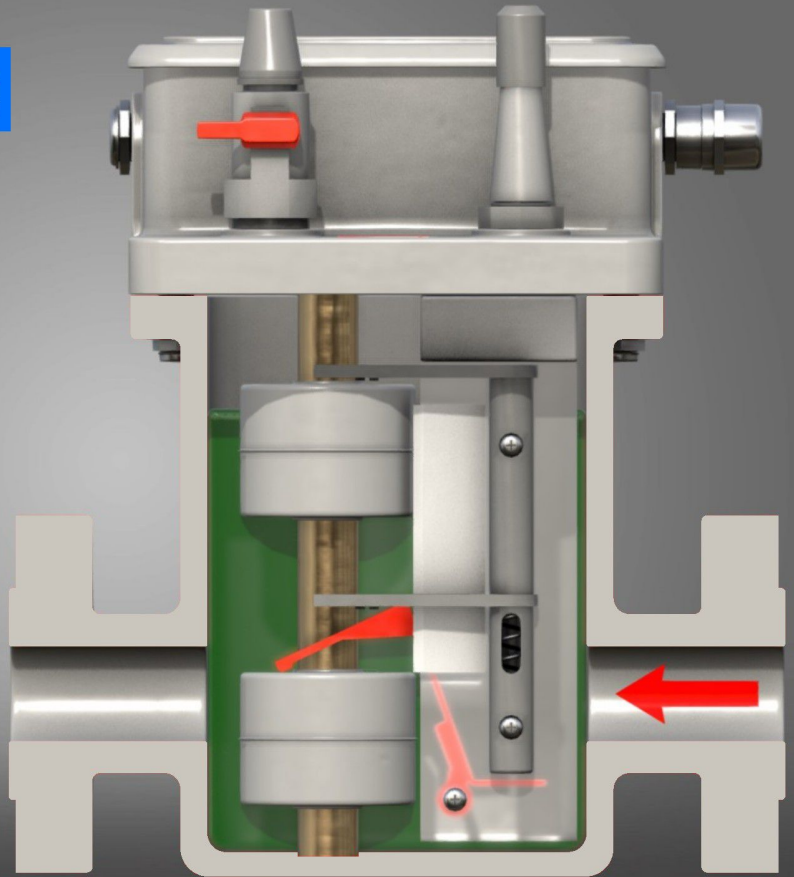
Sudden and large generation of gas.

EFFECT

Upper float maybe drops.
Baffle plate pushes lower float down.
Lower float drops.

RESULT

Transformer alarms and trips.



savRee

SMALL ELECTRICAL FAULT(S)

CAUSE

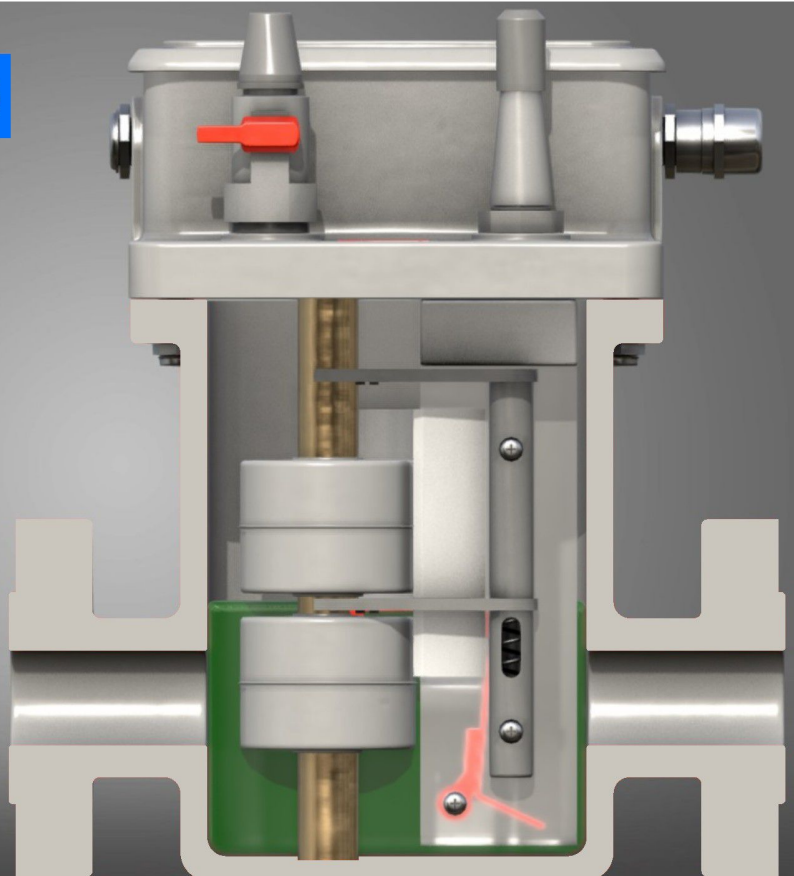
Slow and small generation of gas.

EFFECT

Upper float drops.
Baffle plate does not move.
Lower float does not move.

RESULT

Transformer alarms.



savRee

This is one of several hundred 3D models within our online model database.
Visit www.savree.com to learn more.

BUCHHOLZ RELAY FAULTS

LOW INSULATING LIQUID LEVEL

CAUSE

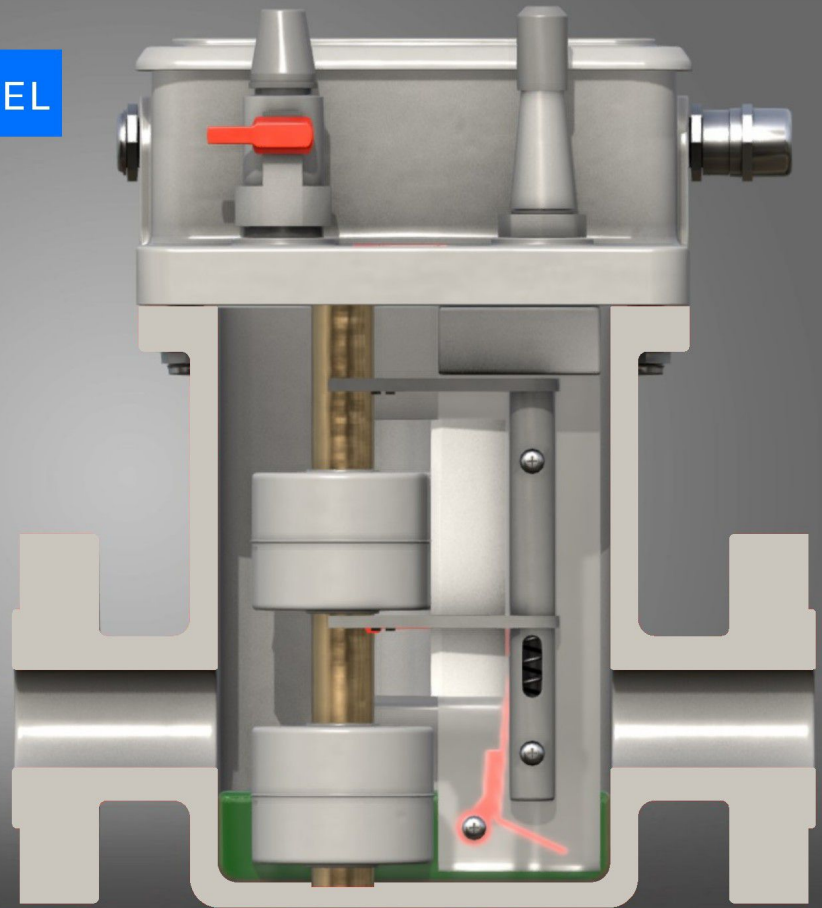
Reduction in the insulating liquid level.

EFFECT

Upper float drops.
Baffle plate does not move.
Lower float drops.

RESULT

Transformer alarms and trips.



savRee

savRee

This is one of several hundred 3D models within our online model database.

Visit www.savree.com to learn more.