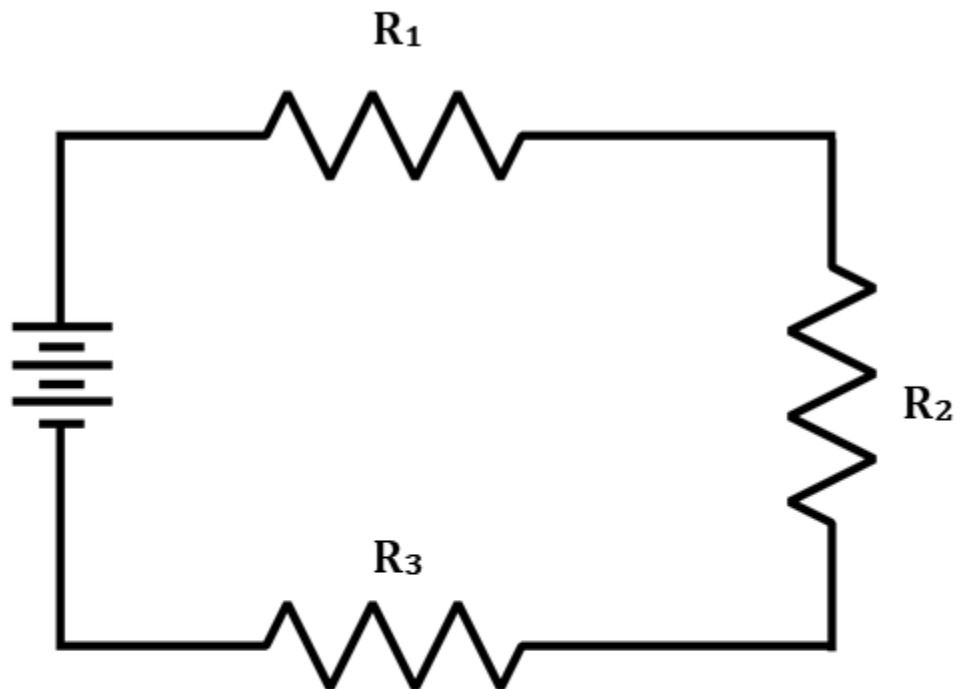


Series Example 1



$$I_T = 1.75 \text{ Amps}$$

$$R_1 = 12 \text{ ohms}$$

$$R_2 = 4 \text{ ohms}$$

$$R_3 = 8 \text{ ohms}$$

$$E_1 = \underline{\hspace{2cm}}$$

$$E_3 = \underline{\hspace{2cm}}$$

$$I_2 = \underline{\hspace{2cm}}$$

$$R_T = \underline{\hspace{2cm}}$$

$$E_2 = \underline{\hspace{2cm}}$$

$$E_T = \underline{\hspace{2cm}}$$

$$I_3 = \underline{\hspace{2cm}}$$

$$I_T = \underline{\hspace{2cm}}$$